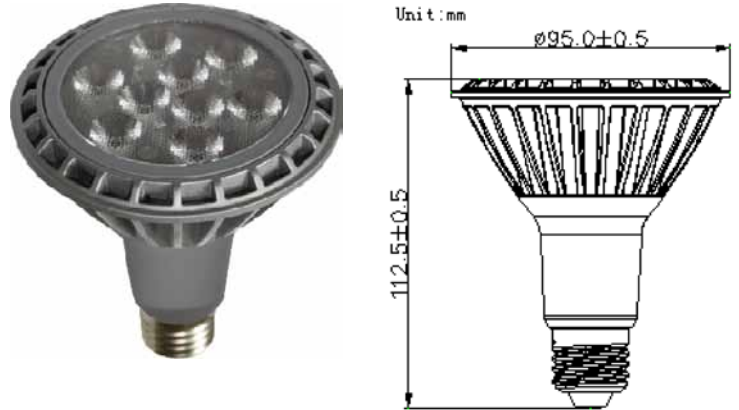


ECOBELAM E27 9XP1 (Par30) Warm White 45deg



Specifications:

| | Symbol | Values | | | | | Unit |
|----------------------------|-----------------|-----------------------------|-----------------|---------------|-----------------|-----------------|------|
| Input voltage | V _{in} | 120V | 230V | | | V _{DC} | |
| Input current(Bright) | I _{in} | 0.19 | 0.72 | | | A | |
| Frequency | f | 60Hz | 50Hz | | | Hz | |
| Conversion efficiency | η | ≥80% | | ≥80% | | | |
| Power Consumption(MAX) | P | 11 | | | | W | |
| On-off times | | 10000 | | | | | |
| LED QTY | - | 9 | | | | | PCS |
| Low-temperature start time | t | 2 | | | | | s |
| SDCM range | - | <7 | | | | | |
| CRI | Ra | | | | | | |
| Product life | H | 30 000 Hr | | | | | |
| Lamp shell | | Aluminium | | | | | |
| Protection class | IP | IP40 | | | | | - |
| Base | | P30 | | | | | |
| Center illuminance | E | Height 1m(CW) | Height 1.5m(CW) | Height 2m(CW) | Height 2.5m(CW) | Height 3m(CW) | LX |
| | | - | - | - | - | - | |
| CCT | - | 3000 | | | | | K |
| Luminous efficiency | η | 80-90 | | | | | Lm/W |
| Lumunous flux (MAX) | Φ | 650-700 | | | | | Lm |
| Viewing Angle | - | 45 | | | | | Deg |
| Operating Humidity | RH | 25% | | | 95% | | % |
| Light source failure | | 3000Hr≤8% | | | 30000Hr≤20% | | % |
| Operating Temperature | Topr | -20 | | | 25 | | °C |
| SAFETY&EMC | Input to Ground | I/P-Enclosure:1.5KVAC/2.0MA | | | | | |
| | EMI Radiation | Compliance to EN55015 | | | | | - |
| EMC | EMI Radiation | Compliance to EN55015 | | | | | - |

Block Diagram:

