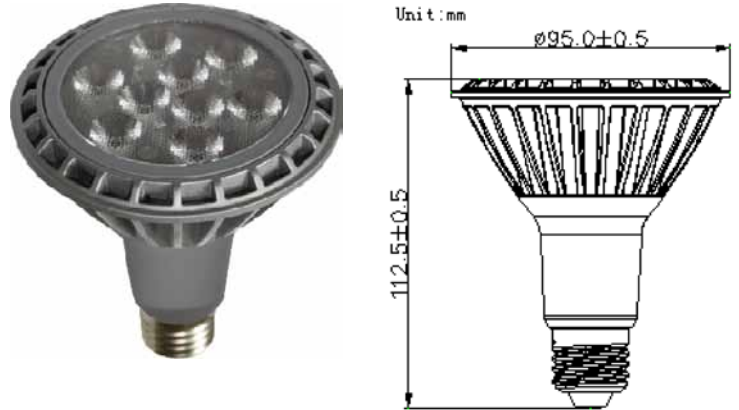


ECOBEBAM E27 9XP1 (Par30) White 45deg



Specifications:

	Symbol	Values					Unit
Input voltage	Vin	120V	230V			V _{DC}	
Input current(Bright)	Iin	0.19	0.72			A	
Frequency	f	60Hz	50Hz			Hz	
Conversion efficiency	η	≥80%		≥80%			
Power Consumption(MAX)	P	11				W	
On-off times		10000					
LED QTY	-	9				PCS	
Low-temperature start time	t	2				s	
SDCM range	-	<7					
CRI	Ra						
Product life	H	30 000 Hr					
Lamp shell		Aluminium					
Protection class	IP	IP40				-	
Base		P30					
Center illuminance	E	Height 1m(CW)	Height 1.5m(CW)	Height 2m(CW)	Height 2.5m(CW)	Height 3m(CW)	LX
		-	-	-	-	-	
CCT	-	6000				K	
Luminous efficiency	η	80-90				Lm/W	
Lumunous flux (MAX)	Φ	750-800				Lm	
Viewing Angle	-	45				Deg	
Operating Humidity	RH	25%		95%		%	
Light source failure		3000Hr≤8%		30000Hr≤20%		%	
Operating Temperature	Topr	-20		25		°C	
SAFETY&EMC	Input to Ground	I/P-Enclosure:1.5KVAC/2.0MA					
	EMI Radiation	Compliance to EN55015				-	
EMC	EMI Radiation	Compliance to EN55015				-	

Block Diagram:

