

## ECOBEAM E27 A9-7X1W (Par30) Warm 30deg

### Features:

#### Excellent circuit design

match the standard from USA semiconductor laboratory circuit design.

#### High energy-saving and easy installation Environmental friendly

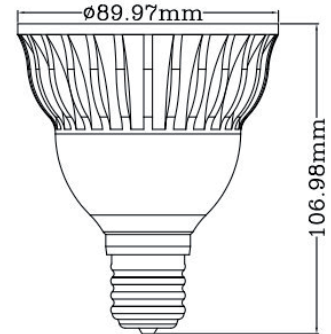
No UV or IR interference, no carbon dioxide emission.

#### High Light transmittance

Using Japanese PMMA material, light transmittance can reach 97%, various beam angles available.

#### Long lifespan.

40000 hours life time.

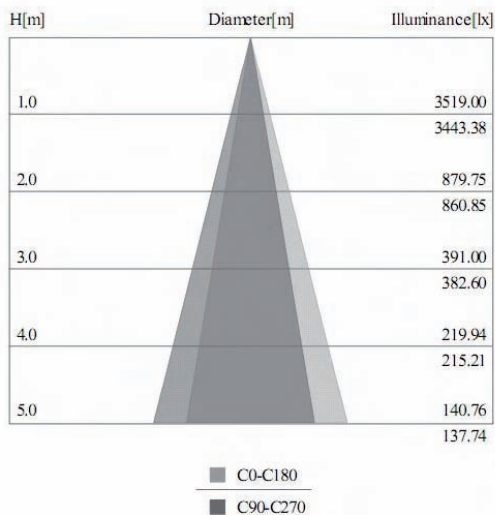


### Specifications:

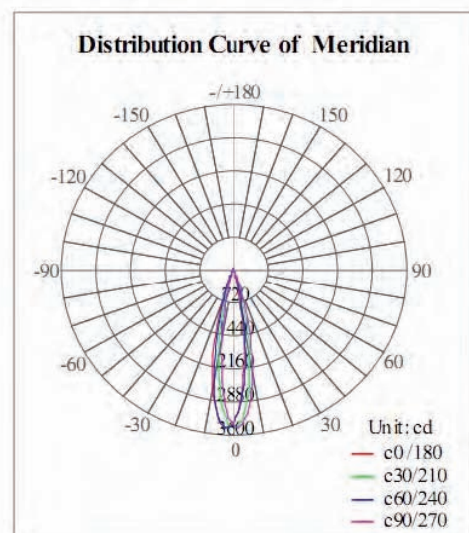
<b>Lumens (lm)</b>	560-630 lm	<b>Input Voltage (V)</b>	100-245V AC
<b>Color Temperature (K)</b>	Warm White: 2600-3100K	<b>Power Consumption (W)</b>	10.5W
<b>Beam Angle</b>	30°	<b>Input Current (MA)</b>	350MA
<b>Dimmable</b>	no	<b>CRI (Ra)</b>	80
<b>Material</b>	Aluminium+PMMA lens	<b>Environmental Humidity</b>	0%-90%
<b>Socket</b>	E27	<b>Lifespan (H)</b>	40000H
<b>Patent</b>	Design patent, Invention patent	<b>Working Temperature</b>	-20~45°C
<b>Dimension (mm)</b>	Φ89.97*106.98mm	<b>Certification</b>	PSE, CE, RoHS

### Illuminance (lux):

**Illumination Cone Curve**



### Light Arrangement Curve (beam angle 30°):



Part Number	Beam Angle	Color Temperature (K)	CRI (Ra)	Dimension (mm)		Weight (g)	Base	Voltage (V)	Power (W)	Lumens (lm)
				diameter	length					
ECOBEAM E27 A9-7X1W	30°	Warm white: 2600-3100K	80	89.97	106.98	237	E27	AC 100-245V	10.5	560-630

### Packing:

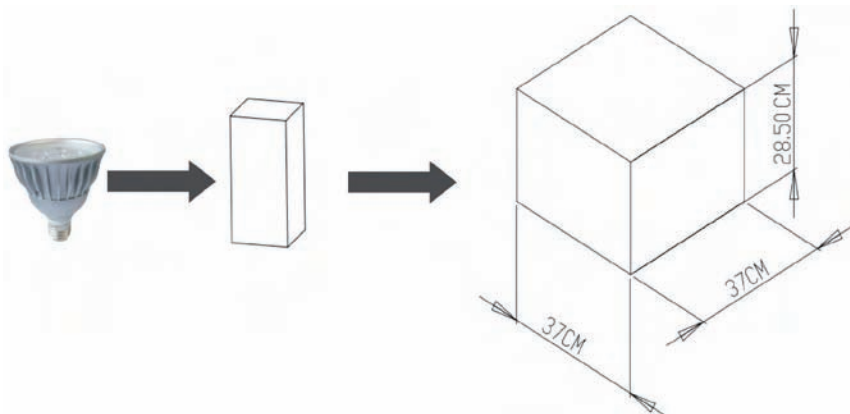
Carton dimension: 37x37x28.5cm

Quantity: 18pcs

Net weight: 4.2kg

Gross weight: 6.4kg

20'GP quantity: 12906pcs



### Notice For Safety:

- Do not use paper or cloth to cover the bulb, Keep off all the flammable material (cause of fire)
- Do not use for dimmers, electronic timers, remote control devices or switch with pilot lamp (cause of damage and smoking)
- Do not take down or clean the bulb unless power must be cut off (Cause of electric shock)
- Do not use it in leaking and wet environment (cause of damage)
- Do not knock over other object, Do not damage and hold it tightly (cause of breakage)
- Do not touch it as it is heating while turning on or just turning off.
- Do not install into wrong lamp-socket or install into lamp-socket loosely (cause of dropping down)

### Notice For Usage:

- Do not disassemble or modify the bulb
- Do not clean the bulb by water
- Do not use for electronic timers, remote control devices or switch with pilot lamp
- Do not use the lamp under over 40degree environmental temperature
- Pay attention while using the light near video, tv and sounding devices, leave the light at least 1meter away from them cause of noise
- While turning on the light near machine controlled by infrared remote controller, the controller may misoperate
- Do not use constant current power supply
- Do not look steadily at the light, it may be extremely harmful to your eyes
- As the unstable color temperature and luminous flux of led, even comes from the same led bulb style, the luminous flux and color temperature also have little difference

### Notice before purchasing (do not use for light fixtures below):

- The light fixture with dimmers
- Indicator light fixture
- Mercury, HID, Metal mineral light fixture etc
- Insulation Construction Equipments (SB, SGI, SG types lamp)
- The light fixture with narrow room between bulb and reflector
- Closed or nearly closed light fixture
- Do not use the lamp under environment as below
- Leaking places
- Constant-current power Supply