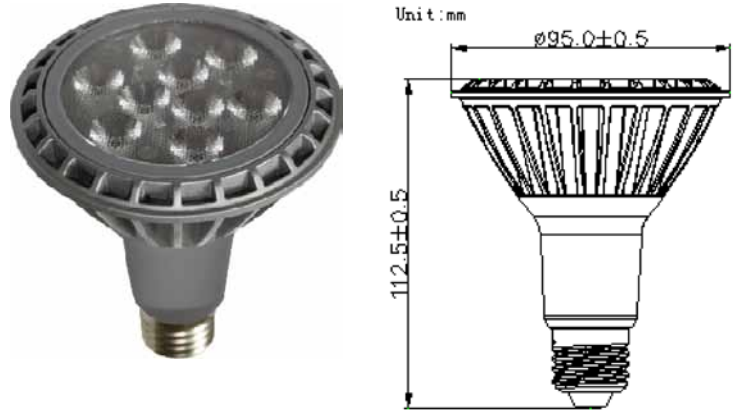


**ECOBEBAM E27 9XP1 (Par30) White 45deg**



**Specifications:**

	Symbol	Values					Unit
Input voltage	Vin	120V	230V			V <sub>DC</sub>	
Input current(Bright)	Iin	0.19	0.72			A	
Frequency	f	60Hz	50Hz			Hz	
Conversion efficiency	η	≥80%		≥80%			
Power Consumption(MAX)	P	11				W	
On-off times		10000					
LED QTY	-	9					PCS
Low-temperature start time	t	2					s
SDCM range	-	<7					
CRI	Ra						
Product life	H	30 000 Hr					
Lamp shell		Aluminium					
Protection class	IP	IP40					-
Base		P30					
Center illuminance	E	Height 1m(CW)	Height 1.5m(CW)	Height 2m(CW)	Height 2.5m(CW)	Height 3m(CW)	LX
		-	-	-	-	-	
CCT	-	6000					K
Luminous efficiency	η	80-90					Lm/W
Lumunous flux (MAX)	Φ	750-800					Lm
Viewing Angle	-	45					Deg
Operating Humidity	RH	25%			95%		%
Light source failure		3000Hr≤8%			30000Hr≤20%		%
Operating Temperature	Topr	-20			25		°C
SAFETY&EMC	Input to Ground	I/P-Enclosure:1.5KVAC/2.0MA					
	EMI Radiation	Compliance to EN55015					-
EMC	EMI Radiation	Compliance to EN55015					-

## Block Diagram:

